

Material Features:

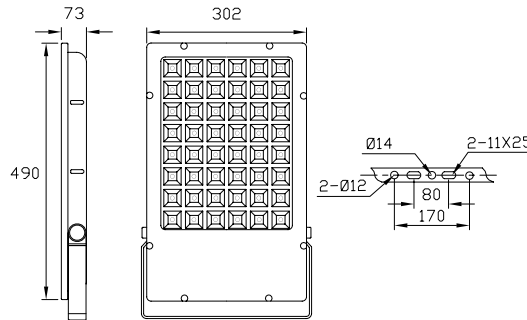
- High-pressure die-casting aluminum case, external electrostatic powder painting
- Heat-proof silicon gasket, Tempered safety glass.
- International top-ranking clip LED light source, quadratic optic non-imaging lens.
- Adopting high coefficient heat conducting material and aluminum alloy for heat-releasing

Applicable places:

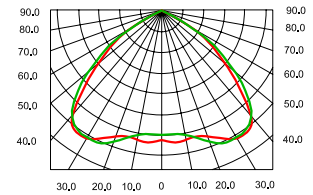
- Illumination of Building facade, Billboards, Sculptures etc.

IP65 Class I     

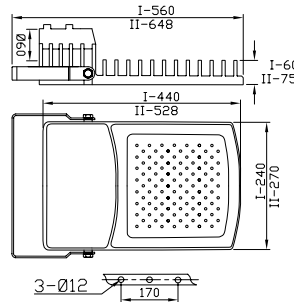
ELGT313-I



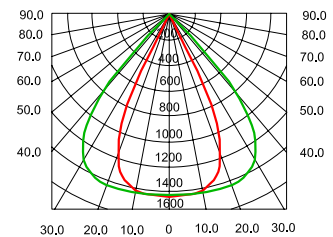
Light Distribution Curve (Cd/1000lm)



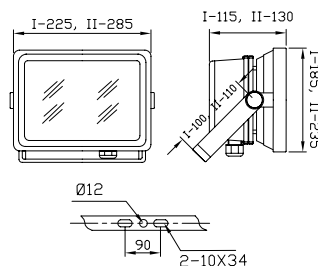
ELGT140-I, II



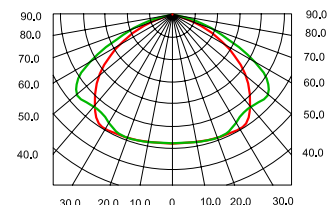
Light Distribution Curve (Cd/1000lm)



ELGT102-I, II



Light Distribution Curve (Cd/1000lm)



Aviation-Obstruction



ELAO-S (Single)



ELAO-T (Twin)

Model No	Light Source	Power W	Power factor pf	Input Voltage V/Hz	Lamp Type Pcs LEDs	Lamp Life Hr
ELGT313-I	LED	70, 100, 120	>0.85	220~240V / 50-60Hz	40	50000
ELGT140-I,II	LED	60, 80, 100, 120,140	>0.85	220~240V / 50-60Hz	50, 66, 50, 60, 84,	50000
ELGT102-I, II	LED	30, 60, 80	>0.85	220~240V / 50-60Hz	9,18, 27	50000
ELAO-S ELAO-T	LED	11, 33 2X11, 2X33	>0.85	220~240V / 50-60Hz	96, 288 192, 576	50000